

Self-Cleaning Filters

DELTA-STRAIN 400-RS

For viscous and super-viscous media

The wedge-wire filter from DELTAFILTER is a logic, cost-efficient and environmental-protecting way of filtration.

- No cartridge filters waste
- Self-cleaning without interruption of process
- Quick and easy cleaning with the complete demountable filter unit with cleaning- and conveyance-system
- Low operating costs due to a long service life
- Robust and user-friendly filter housing in two parts with segment-screw clamps and filter sump with cone
- No special spare part stockholding is necessary
- Simple and time-saving maintenance – no dismantling of pipelines
- Filter rates nominal 25 µm – 8000 µm
- Manufacturing acc. to PED 2014/68/EU
- Motor in efficiency class IE3 (High Efficiency)

OPTIONS

⊕-protection ATEX-conformable acc. to directive 2014/34/EU, perforated elements for gel-like particles, fibres, algae etc., filter elements in hardened design for lifetime improvement, spring loaded scraper blade, self-re-stressed gland unit, special voltage, special seals, automatic drain-system, mechanical seals, sluices, heating jacket, differential pressure indicator, coatings, TÜV acceptance etc.



DELTA-STRAIN 400-RS,
1.4571, 10 bar

We manufacture self-cleaning filters in special construction and alternative material!

PRODUCT DESCRIPTION

The filter housing, constructed in two parts, has a cover with motor-holder and gear-motor demountable upwards. The closure of housing occurs with segment-screw clamps. The filter system of DELTAFILTER Filtrationssysteme GmbH is extremely robust and designed for extreme applications. The filter element with cleaning- and conveyance-system can be dismantled upwards as one unit without special tools. The dirt is removed of the filter element by two flexible scraper-blades of stainless steel. The conveyance-system carries the dirt to the conical collector. The main flow direction in the filter is from top to bottom. This also supports the sedimentation. The dirt can be discharged by a manual valve or optional by an automatic cut off device, which can be controlled by the time or by the differential pressure. Liquid losses are limited. Sluices can be delivered optionally for the concentration of the dirt. The standard type of the filter housing has two dummy sheets.

TECHNICAL DATA

Design and calculations:	PED 2014/68/EU, AD2000
Material of housing:	1.4571 (316Ti) ^{1,2}
Material of filter element:	1.4435 (316L), 1.4404 (316L), 1.4571 (316Ti)
Material of other internals:	1.4571 (316Ti), 1.4310 (301)
Max. allowable pressure:	10 bar ¹
Max. allowable temperature:	80°C ¹
Housing seal:	O-ring FPM ¹
Filter rates nominal:	25 µm – 8000 µm ³
Weight (empty):	ca. 106 kg
Drive:	gear-motor
Motor data:	400 V, 50 Hz, 180/370 W ¹
Motor protection:	IP65 ¹
Flow capacity:	36 m ³ /h (50 – 100 µm)
(in relation to clean water)	45 m ³ /h (≥150 µm)

CONNECTIONS

S1 Inlet	DN80, PN16, form B1 (tangential) ⁴
S2 Outlet	DN80, PN16, form B1 ⁴
S3 Discharge	DN80, PN16, form B1 ⁴
S4 Ventilation	BSP 3/8" with ball valve and hose nipple ⁴
S5 Flushing	DN50, PN16, form B1 ⁴

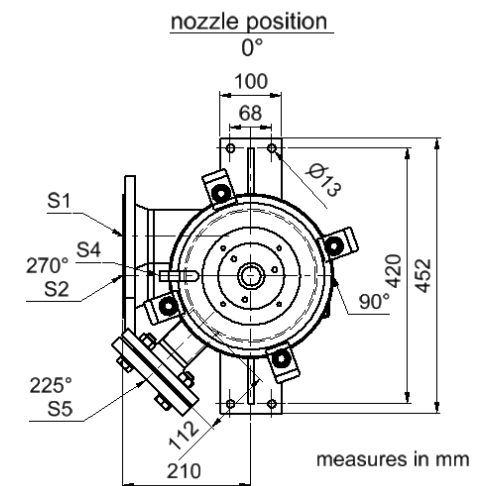
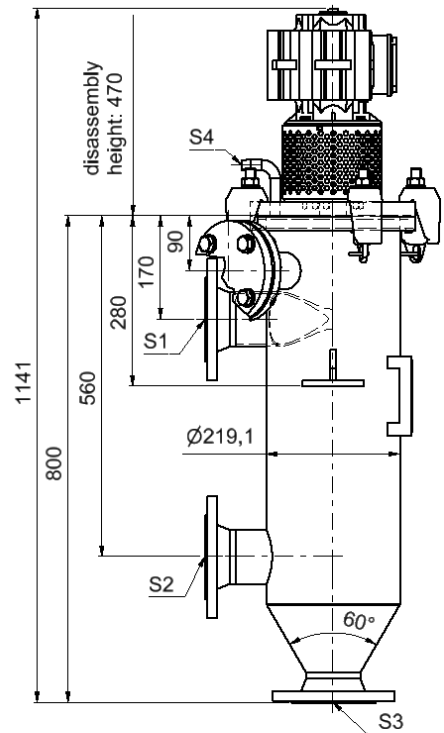
Illustration, weights and measures are only indices.

Our self-cleaning filters model DELTA-STRAIN are available for flow capacities up to 250 m³/h as standard versions – higher flow capacities on request.

We will prepare a detailed quotation for you. Test filters are available.

21st March 2024 - Technical changes reserved.

DELTA-STRAIN 400-RS



- ¹ Optional other materials, pressures, temperatures, voltages, protection ratings etc.
- ² Surface pickled and passivated
- ³ Optional perforated elements (gel-like particles, fibres, algae etc.)
- ⁴ Optional with threaded port, (ANSI-) flanges or welding male part according to German DIN 11851



Certified acc. to
ISO 9001:2015

Phone +49 / 62 32 / 31 51 31
Fax +49 / 62 32 / 31 51 35

Email info@deltafilter.com
Web www.deltafilter.com