

Self-Cleaning Filters

DELTA-STRAIN 35-D/L

For hydrous, viscous and super-viscous media

The wedge-wire filter from DELTAFILTER is a logic, cost-efficient and environmental-protecting way of filtration.

- Smallest design
- Filtration of small quantities, e.g. in laboratories
- 0.8 litre dead space volume
- No cartridge filters waste
- Self-cleaning without interruption of process
- In- and outlet at the same height
- Robust and user-friendly filter housing in two parts with union nut
- Low operating costs due to a long service life
- No special spare part stockholding is necessary
- Simple and time-saving maintenance – no dismantling of pipelines
- Filter rates nominal 25 µm – 8000 µm
- Manufacturing acc. to PED 2014/68/EU
- Motor in efficiency class IE3 (High Efficiency)

OPTIONS

⊕-protection ATEX-conformable acc. to directive 2014/34/EU, filter elements in hardened design for lifetime improvement, spring loaded scraper blade, self-re-stressed gland unit, special voltage, high-pressure version, special seals, automatic drain-system, ball valves, sluices, heating jacket etc.



DELTA-STRAIN 35-D/L
with EX-proved and normal motor

We manufacture self-cleaning filters in special construction and alternative material!

PRODUCT DESCRIPTION

Filter system in two parts with quick clamp and sump demountable downwards. The filter system of DELTAFILTER Filtrationssysteme GmbH is extremely robust and designed for extreme applications. If required, the filter element can be dismantled completely without special tools. When reinserting the element, no special position is required. Special seals are not needed for the filter element. The dirt is removed of the filter element by one flexible scraper-blade of stainless steel and sinks downwards in the mud reservoir of the sump. The dirt can be discharged by a manual valve or optional by an automatic cut off device, which can be controlled by the time or by the differential pressure. Liquid losses are limited. Sluices can be delivered optionally for the concentration of the dirt.

TECHNICAL DATA

Design and calculations:	PED 2014/68/EU, AD2000
Material of filter head:	1.4571 (316Ti) ¹
Material of filter sump:	1.4571 (316Ti), outside polished
Material of filter element:	1.4435 (316L), 1.4404 (316L), 1.4571 (316Ti)
Material of other internals:	1.4571 (316Ti), 1.4310 (301)
Max. allowable pressure:	16 bar ¹
Max. allowable temperature:	80°C ¹
Housing seal:	O-ring FPM ¹
Filter rates nominal:	25 µm – 8000 µm
Weight (empty):	ca. 13 kg
Drive:	gear-motor
Motor data:	400 V, 50 Hz, 120 W ¹
Motor protection:	IP65 ¹
Flow capacity:	4 m ³ /h (≥50 µm)
(in relation to clean water)	

CONNECTIONS

S1 Inlet	BSP 1" inner thread ²
S2 Outlet	BSP 1" inner thread ²
S3 Discharge	BSP ½" outer thread ²
Fastening	by the pipeline

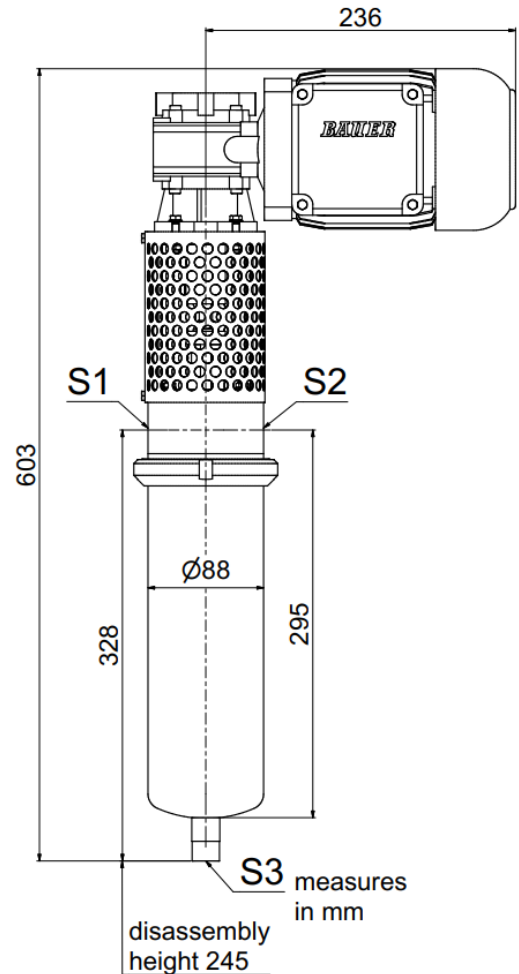
Illustration, weights and measures are only indices.

Our self-cleaning filters model DELTA-STRAIN are available for flow capacities up to 250 m³/h as standard versions – higher flow capacities on request.

We will prepare a detailed quotation for you. Test filters are available.

21st March 2024 - Technical changes reserved.

DELTA-STRAIN 35-D/L



- ¹ Optional other materials, pressures, temperatures, voltages, protection ratings etc.
² Optional with (ANSI-) flanges or welding male part according to German DIN 11851



Certified acc. to
ISO 9001:2015

Phone +49 / 62 32 / 31 51 31
Fax +49 / 62 32 / 31 51 35

Email info@deltafilter.com
Web www.deltafilter.com