

Basket filter DELTA-SKS

for hydrous, viscous and super-viscous media

The basket filter from DELTAFILTER is a logic, cost-efficient and environmental-protecting way of filtration.

- Robust and user-friendly filter housing in compact and space-saving design
- In- and outlet at the same height (in-line)
- Lower weight caused by welded construction
- Quick and easy mounting and dismounting of the high-grade basket of stainless steel
- A lot of sizes in valve-sized length F1 according German DIN 3202
- Cover-closure with stud bolts and eye nuts – there are no tools required to open it
- Long lifetime due to large filter area
- Low pressure drop
- Filter rates nominal from 5 μm – 10.000 μm
- Installation on the flat bottom of the housing
- Fastening flaps for a fixing on the floor
- Connections for ventilation and purging
- Connections and holder for differential pressure indicator – add-on kits are available
- Nominal sizes from DN25 to DN250
- Manufacturing acc. PED 2014/68/EU



DELTA-SKS, material stainless steel

OPTIONS

Yoke quick release fastener, differential pressure indicator with and without electrical contact, magnetic columns, fittings for ventilation and purging, feet, high-pressure-version, TÜV acceptance etc.

We manufacture self-cleaning filters in special construction and alternative material!



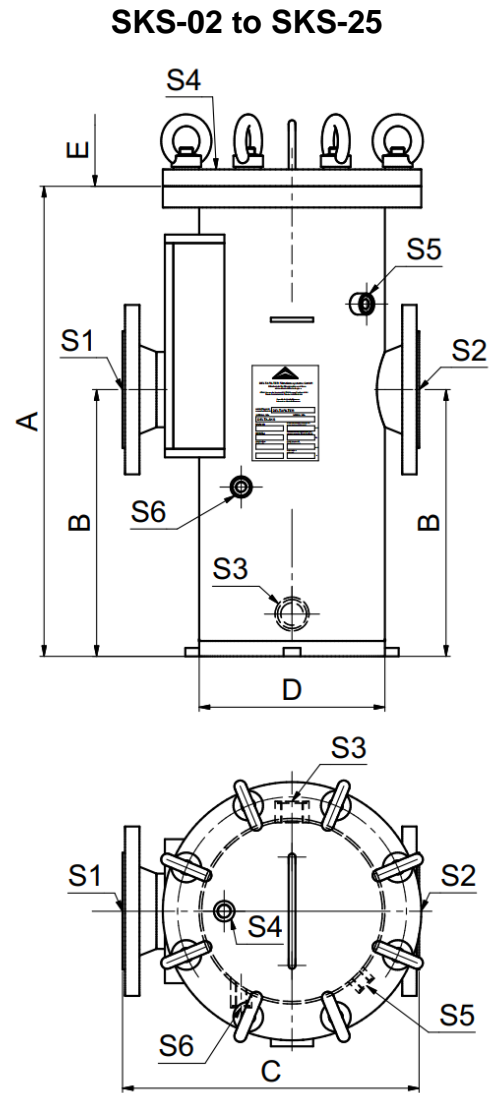
Yoke quick release fastener DELTA-BSV
as an option, also retrofittable

PRODUCT DESCRIPTION

Filter system in two parts for filtration of fluids and gases. The housing is made of a cylindrical steel vessel in welded construction with flat bottom and flat cover. The standard fastening of the cover is done with stud bolts and eye nuts. In- and outlet are at the same height oppositely. The mounting dimensions of several sizes are in valve-sized length F1 according German DIN 3202. The purging is placed below at the side of the housing. The ventilation is on the cover. A holder and two sockets are welded on the vessel. They can be used for mounting a differential pressure indicator. Fixing the filter on the floor can be done by the three fastening flaps on the bottom. The filter system of DELTAFILTER Filtrationssysteme GmbH is extremely robust and designed for extreme applications. The massive basket, in which the dirt is concentrated, can be completely dismantled without special tools and is easy to clean. Many filter accessories are available for an individual adaptation on customer's wishes.

TECHNICAL DATA

Design and calculation:	PED 2014/68/EU, AD2000 ¹
Material of housing:	Stainless steel 1.4571 ^{1,2} or carbon steel
Material of basket:	Stainless steel 1.4571, 1.4401 ¹
Cover-closure:	Stud bolts with eye nuts of galvanized steel ¹
Max. allow. pressure:	16 bar ¹
Max. allow. temperature:	80°C ¹
Corrosion protection carbon steel:	Derusted inside with preservative painted outside RAL 6011 ¹
S3 Purging ¹	3/4" BSP (inner thread)
S4 Ventilation ¹	3/8" BSP (inner thread)
S5, S6 Diff. Pressure ¹	1/4" BSP (inner thread)
Seals:	O-rings FPM ¹
Filter rates nominal:	5 µm – 10.000 µm ³



- ¹ Optional other materials, connections, designs, closures, pressures, temperatures etc.
² Surface pickled and passivated
³ Optional pleated wire mesh elements and other filter rates
⁴ Bigger flow capacities on request

	SKS-02	SKS-04	SKS-05	SKS-06	SKS-08	SKS-10	SKS-12	SKS-15	SKS-20	SKS-25
Flow capacity for ⁴ 50-100 µm (water)	5 m³/h	11 m³/h	18 m³/h	30 m³/h	45 m³/h	70 m³/h	120 m³/h	160 m³/h	280 m³/h	430 m³/h
Filterarea in cm²	470		980		1870		2750		8100	
S1, S2 In-, Outlet ¹ PN16, form B1	DN25	DN40	DN50	DN65	DN80	DN100	DN125	DN150	DN200	DN250
Size A in mm	340		410		555		665		1090	1130
Size B in mm	200		240		315		325		700	670
Size C in mm	220	225	290		350		480		680	800
Size D in mm	Ø114,3		Ø168,3		Ø219,1		Ø273		Ø406	
Size E in mm	350		430		570		680		1130	
Weight in kg (empty)	17	19	30	32	52	54	88	95	240	280

Illustration, weights and dimensions are only reference values.

If desired we will prepare a detailed quotation for you.

21st March 2024 - Technical changes reserved.



Certified acc. to
ISO 9001:2015

Phone +49 / 62 32 / 31 51 31
Fax +49 / 62 32 / 31 51 35

Email info@deltafilter.com
Web www.deltafilter.com