

Basket filter DELTA-SKB-I

for hydrous, viscous and super-viscous media

The basket filter from DELTAFILTER is a logic, cost-efficient and environmental-protecting way of filtration.

- Robust and user-friendly filter housing in compact and space-saving design
- In- and outlet at the same height (in-line)
- Lower weight caused by welded construction
- Quick and easy mounting and dismounting of the high-grade basket of stainless steel
- Long lifetime due to large filter area
- Enlarged filter area caused by optimized crossflow
- Low pressure drop
- Filter rates from 5 to 10.000 μm
- Cover sealing done by flat gasket
- Erection by welded profile feet
- Connections for ventilation and purging are standard
- Connections and holder for differential pressure indicator are standard – add-on kits are available
- Nominal sizes from DN200 to DN500
- Production acc. to PED 2014/68/EU, AD2000
- Davit for a better handling of the cover

OPTIONS

Height-offset version DELTA-SKB-V, Differential pressure indicator with or without electrical contact to transmit the signal, magnetic columns, fittings for ventilation and purging, nominal sizes acc. to customer specification, material of gaskets and design acc. to customer specification, inspection by German TÜV, special materials, internal coatings, high-pressure models etc.



DELTA-SKB-50-I
material stainless steel

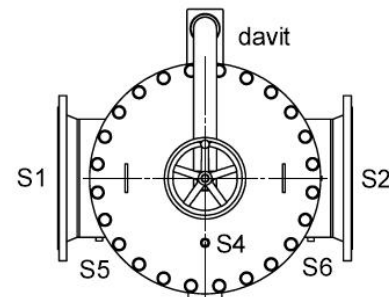
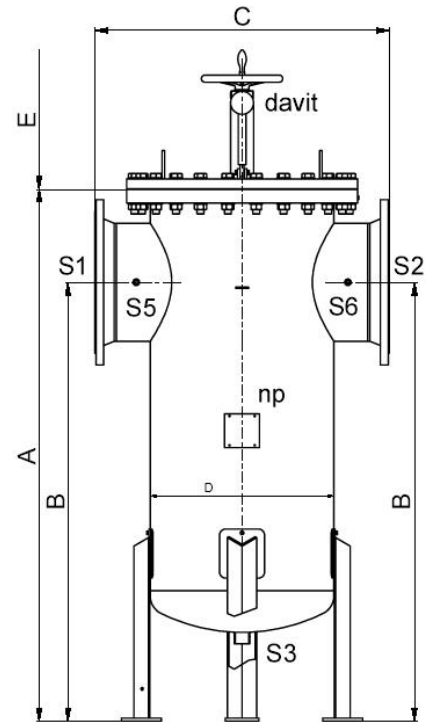
PRODUCT DESCRIPTION

Filter system in two parts for the filtration of fluids and gases. The housing is made of a cylindrical steel vessel in welded construction with a torispherical head as bottom and flat cover. The standard fastener of the cover is done with hexagon bolts and nuts. The in- and outlet are at the same height on opposite sides. The purging is placed in the middle at the bottom of the housing. The ventilation is on the cover. A holder and two sockets are welded on the vessel. They can be used for the mounting of a differential pressure indicator. There are holes in the feet plates to fasten the housing on the floor. The filter system is extremely robust and made for extreme working conditions. The solid basket, in which the dirt is collected, can be completely dismantled without any special tools! The basket can be cleaned easily. Many filter accessories are available for an individual adaptation on customers wishes.

TECHNICAL DATA

Design and calculation:	PED 2014/68/EU, AD2000 ¹
Material of housing:	Stainless steel 1.4571 ^{1,2} or carbon steel
Material of basket:	Stainless steel 1.4571, 1.4401 ¹
Cover-closure:	Hexagon bolts and nuts of galvanized steel ¹
Max. allow. pressure:	10 bar ¹
Max. allow. temperature:	100°C ¹
Corrosion protection carbon steel:	Derusted inside with preservative painted outside RAL6011 ¹
Seals:	Flat seals ¹
Filter rates nominal:	5 µm – 10.000 µm ³

SKB-20-I to SKB-50-I



- ¹ Optional other materials, designs, closures, pressures, temperatures, paintings etc.
- ² Surface pickled and passivated
- ³ Optional pleated wire mesh elements and other filter rates
- ⁴ Other flow capacities on request

	SKB-20-I	SKB-25-I	SKB-30-I	SKB-35-I	SKB-40-I	SKB-45-I	SKB-50-I
Flow capacity for 50-100 µm (water) ⁴	300 m ³ /h	480 m ³ /h	600 m ³ /h	800 m ³ /h	1000 m ³ /h	1400 m ³ /h	2000 m ³ /h
Filter area in cm ²	5800		11310		17430		24600
Inlet/Outlet S1/S2 PN16, form B1 ¹	DN200	DN250	DN300	DN350	DN400	DN450	DN500
Purging S3	2" BSP (outer thread)						
Ventilation S4	3/4" BSP (inner thread)						
Diff. pressure S5,S6	1/4" BSP (inner thread)						
Size A in mm	1570		2000		2060		2220
Size B in mm	1300		1720		1700		1830
Size C in mm	850		950		1140		1300
Size D in mm	Ø406.4		Ø550		Ø711.2		Ø850
Size E in mm	1200		1550		1200		1300
Weight in kg (empty)	223	234	429	452	798	815	1177

Illustration, weights and measures are only indices.
If desired we will prepare a detailed quotation for you.
21st March 2024 - Technical changes reserved.



Certified acc. to
ISO 9001:2015

Phone +49 / 62 32 / 31 51 31
Fax +49 / 62 32 / 31 51 35

Email info@deltafiliter.com
Web www.deltafiliter.com