

# Basket filter DELTA-OV

## Single filter Multibasket

### for hydrous, viscous and super-viscous media

The basket filter from DELTAFILTER is a logic, cost-efficient and environmental-protecting way of filtration.

- Compact and space-saving filter housing
- In- and outlet at the same height (in-line)
- Quick release fastener to open the filter cover easily (single-hand control)
- Quick and easy mounting and demounting of stainless steel baskets
- Low pressure drop
- Nominal diameter connection from DN200 to DN250
- Filter meshes from 50 µm up to 6350 µm
- Special baskets with meshes from 10 µm to 25 µm as pleated versions available
- classification acc. to article 4, paragraph 3, SEP



DELTA-OV DN200

#### OPTIONS

Differential pressure indicators with and without electrical contact for remote transmission, magnetic columns, pleated baskets etc.

#### DESCRIPTION

The single basket filters of the DELTA-OV series offer a cost-efficient method to clean liquids or to regain valuable solid state bodies as well as the protection of piping, controls and instruments. The compact filter is a cast design and is supplied with high quality stainless steel baskets.

#### STANDARD BASKET DATA

perforated plate-perforation per sq in.	filter mesh [µm]	free area [%]
11	6350	54
33	3170	39
124	1600	38
filter mesh in MESH		
20	910	53
30	560	42
40	380	40
60	250	35
80	190	34
120	130	32
200	80	36
300	50	32

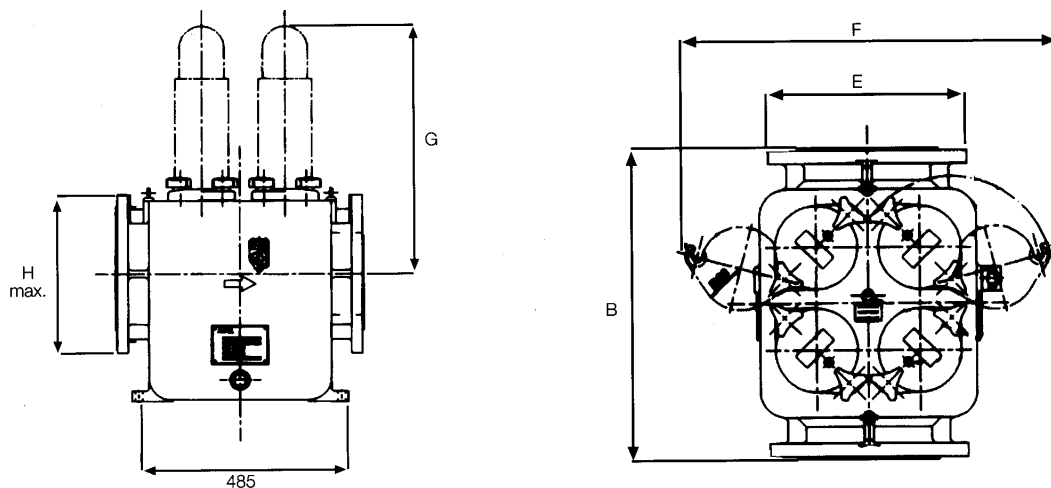
## TECHNICAL DATA

	OV	OV/S	OV/SS
material housing	cast iron EN 1561/EN-JL 1030	cast steel EN 10213-2//1.0625	stainless steel casting EN 10213-4//1.4408
material basket	stainless steel 1.4571/1.4401		
max. working pressure	13.8 bar at 50°C		
drain plug	brass	stainless steel	
gaskets	FPM		
painting	blue	silver	-

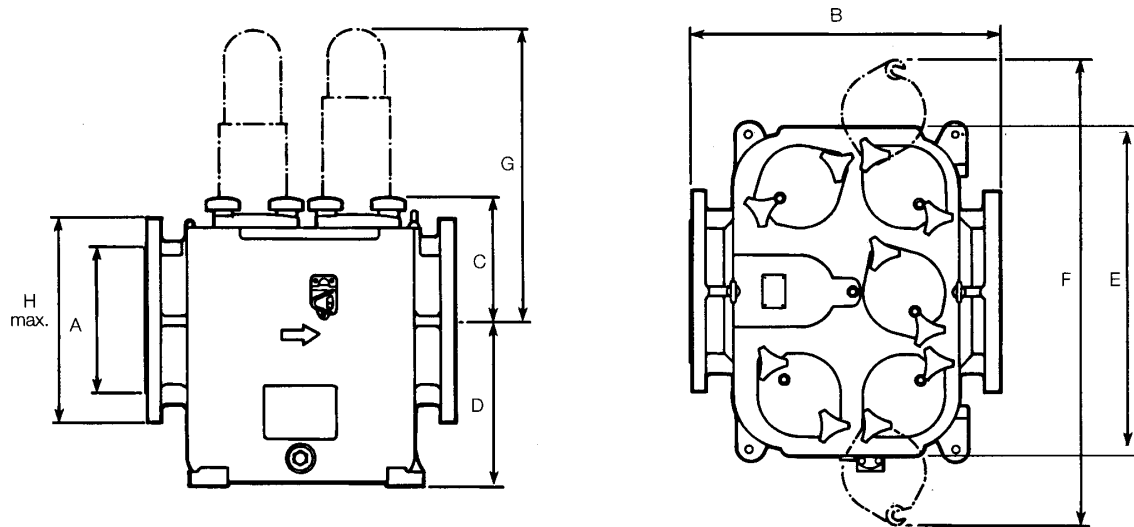
Other gasket materials on request.

## DIMENSIONS AND WEIGHTS

### DELTA-OV DN 200



### DELTA-OV DN 250



## FLANGES DRILLED ACC. TO EN1092-1 (OPTIONAL ANSI AND BS AVAILABLE)

	A	B	C	D	E	F	G	H	Drain	Filter area per basket	Weight
DN200	200	595	230	308	420	658	610	381	1/2" BSP	3560 cm <sup>2</sup>	260 kg
DN250	250	595	276	272	600	908	610	445	1/2" BSP	4536 cm <sup>2</sup>	391 kg

Illustration, weights and measures are only indices.

If desired we will prepare a detailed quotation for you.

21st March 2024 - Technical changes reserved.

Brand of Cleanova



Certified acc. to  
ISO 9001:2015

Phone +49 / 62 32 / 31 51 31  
Fax +49 / 62 32 / 31 51 35

Email info@deltafilter.com  
Web www.deltafilter.com