

Basket filter DELTA-OV

for hydrous, viscous and super-viscous media

The basket filter from DELTAFILTER is a logic, cost-efficient and environmental-protecting way of filtration.

- Flow capacity up to 160 m³/h
- Compact and space-saving filter housing
- In- and outlet at the same height (in-line)
- Quick release fastener to open the filter cover easily (single-hand control)
- Quick and easy mounting and demounting of stainless steel baskets
- Low pressure drop
- Nominal diameter connection from DN20 to DN150
- Filter meshes from 10 µm up to 6350 µm
- classification acc. to article 4, paragraph 3, SEP

OPTIONS

Differential pressure indicators with and without electrical contact for remote transmission, magnetic columns, pleated baskets etc.

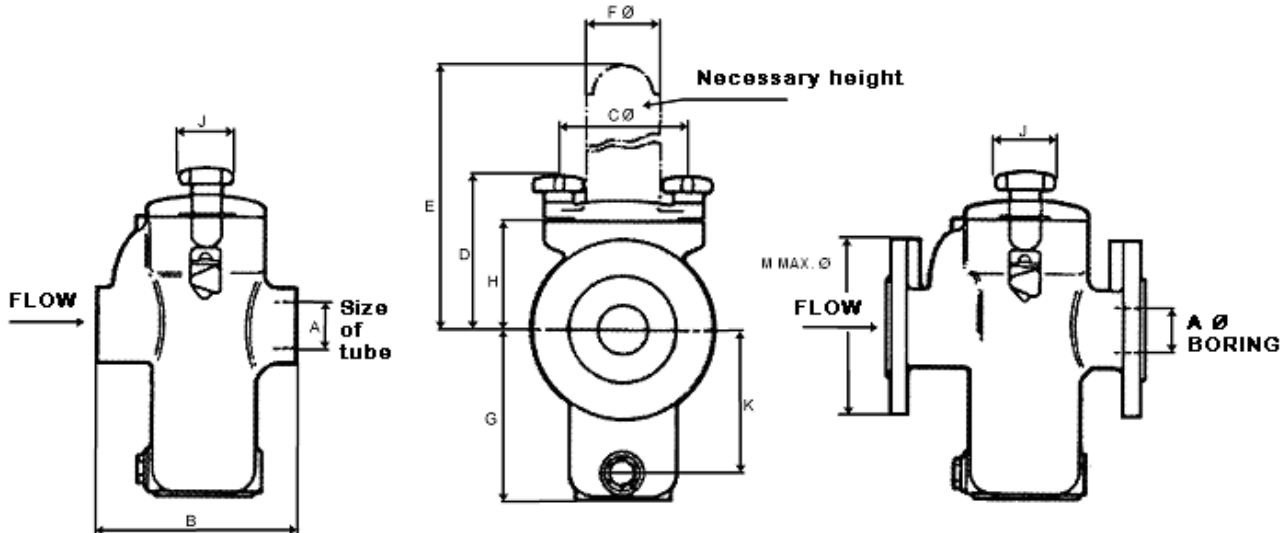
DESCRIPTION

The single basket filters of the DELTA-OV series offer a cost-efficient method to clean liquids or to regain valuable solid state bodies as well as the protection of piping, controls and instruments. The compact filter is a cast design and is supplied with high quality stainless steel baskets.



TECHNICAL DATA

	OV	OV/S	OV/SS	OV/S-A300	OV/SS-A300
material housing	cast iron EN 1561 EN-JL 1030	cast steel EN 10213-2/ 1.0625	stainless steel casting EN 10213-4/ 1.4408	cast steel EN 10213-2/ 1.0625	stainless steel casting EN 10213-4/ 1.4408
material basket	stainless steel 1.4571/1.4401				
Max. working pressure at 50°C ¹	17 bar (thread) 16 bar (flange)	22 bar (thread) 16 bar (flange)	22 bar (thread) 14,3 bar (flange)	40 bar (flange)	35,6 bar (flange)
Drain plug	brass	steel	stainless steel	steel	stainless steel
Gaskets ¹	FPM				
Painting	blue	silver	-	silver	-



SCREW THREAD ACC. TO BSP ¹

A	B	C	D	E	F	G	H	J	K	L	Filter area in cm ²	Weight in kg
in mm	in mm	in mm	in mm	in mm	in mm	in mm	in mm	in mm	in mm			
20 - 3/4" BSP	159	108	103	220	73	105	64	50	86	1/2" BSP	184	5
25 - 1" BSP	159	108	103	220	73	105	64	50	86	1/2" BSP	184	5
32 - 1 1/4" BSP	174	108	129	306	73	145	90	50	122	1/2" BSP	268	7
40 - 1 1/2" BSP	174	108	129	306	73	145	90	50	122	1/2" BSP	268	7
50 - 2" BSP	270	156	165	351	112	156	112	76	131	1/2" BSP	484	19
65 - 2 1/2" BSP	270	156	165	351	112	156	112	76	131	1/2" BSP	484	19

FLANGES DRILLED ACC. TO EN1092-1 ¹

A	B	C	D	E	F	G	H	J	K	L	M ²	Filter area in cm ²	Weight in kg
in mm	in mm	in mm	in mm	in mm	in mm	in mm	in mm	in mm	in mm		in mm		
25 - 1"	194	108	103	220	73	105	64	50	86	1/2" BSP	124	184	8
40 - 1 1/2"	210	108	129	306	73	145	90	50	122	1/2" BSP	156	268	12
50 - 2"	310	156	165	351	112	156	112	76	131	1/2" BSP	165	484	24
65 - 2 1/2"	310	156	165	351	112	156	112	76	131	1/2" BSP	191	484	25
80 - 3"	343	175	198	451	132	210	140	76	186	1/2" BSP	210	718	42
100 - 4"	356	175	234	575	132	265	175	76	241	1/2" BSP	229/254	964	45
150 - 6"	480	-	296	728	185	361	218	-	330	1/2" BSP	318	1835	107

Illustration, weights and measures are only indices.

If desired we will prepare a detailed quotation for you.
21st March 2024 - Technical changes reserved.

¹ Optional other materials, designs, temperatures, connections etc.
² dimensions for cast iron / cast steel and stainless steel casting

Brand of Cleanova



Certified acc. to
ISO 9001:2015

Phone +49 / 62 32 / 31 51 31
Fax +49 / 62 32 / 31 51 35

Email info@deltafilter.com
Web www.deltafilter.com