

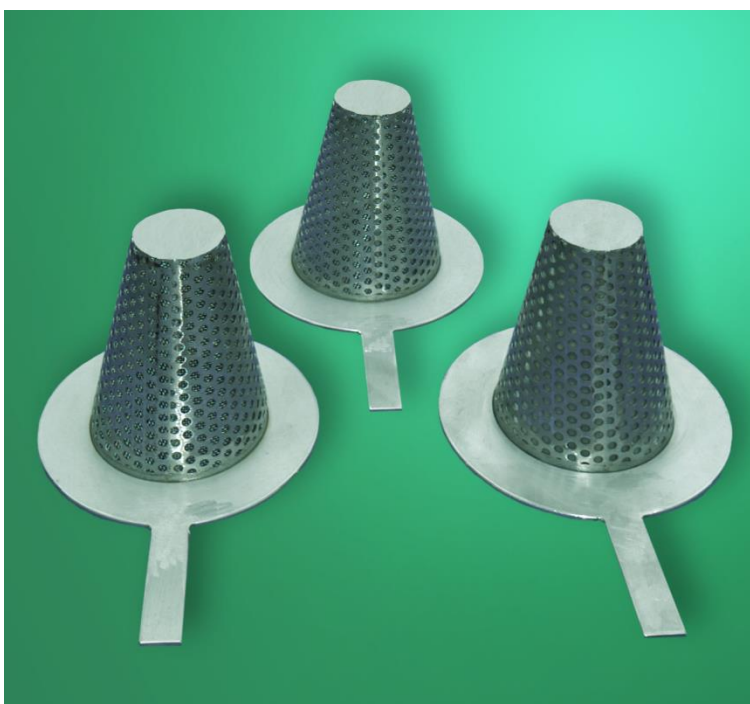
Temporary Strainers DELTA-HS für liquid and gaseous media

Temporary strainers from DELTAFILTER are a logic, cost-efficient and environmental-protecting way of filtration.

- Large, effective filter surface due to open-pored fabric structure
- Low specific filter load at high flow rates
- High cross flow in the weave
- Low pressure drop due to the optimum ratio of filter surface to pipe cross section ($F_O/R_A \geq 2$)
- High differential pressure stability
- Full-welded construction

OPTIONAL

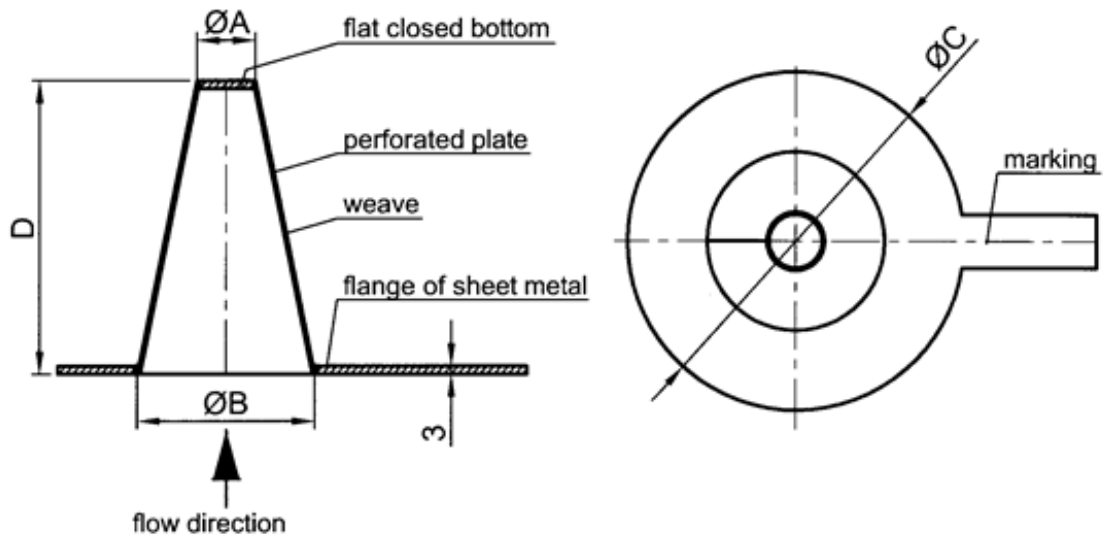
Special filter rates
Higher pressure stages
Special sealing surfaces
Design for ANSI flanges



DELTA-HS-10

TECHNICAL DATA

Material of temporary strainer:	1.4571
Material of weave:	1.4401
Filter rates:	250, 500, 1000, 5000 μm
Max. differential pressure:	1.5 bar
Flow direction:	from inside to outside
Tolerances:	acc. to DIN ISO 2768



	Pressure rating DIN	Dimension A	Dimension B	Dimension C	Dimension D
DELTA-HS-02	PN10-PN40	8.5	21	72	53
DELTA-HS-03		10	32	81	84
DELTA-HS-04		10	39	92	109
DELTA-HS-05		22	50	107	100
DELTA-HS-06		22	67	127	160
DELTA-HS-08		22	79	142	106
DELTA-HS-10	PN10-PN16	22	104	162	153
DELTA-HS-12		20	126	191	153
DELTA-HS-15		22	155	218	183
DELTA-HS-20		22	200	273	245
DELTA-HS-25		33	250	328	244
DELTA-HS-30		33	300	378	299
DELTA-HS-35		33	330	438	334
DELTA-HS-40		33	380	489	388
DELTA-HS-50		33	482	594	488

Larger temporary strainers on request. All dimensions are only reference values.

If desired we will prepare a detailed quotation for you.

21st March 2024 - Technical changes reserved



Certified acc. to
ISO 9001:2015

Phone +49 / 62 32 / 31 51 31
Fax +49 / 62 32 / 31 51 35

Email info@deltafilter.com
Web www.deltafilter.com