

# Bag Filter DELTA-BFS7

## for hydrous, viscous and super-viscous media

The bag filter from DELTAFILTER is a logic, cost-efficient and environmental-protecting way of filtration.

- Robust and user-friendly filter housing of stainless steel, surface pickled, passivated and polished
- Designed for the filtration of fluids
- Cover plate lock with quick release clamp
- Housing sealed with O-ring
- Quick and simple fitting and removal of filter bags and high-quality support basket
- The support basket in combination with the filter bag is self-adjusting, an additional O-ring or a pressing device are not necessary
- Support basket of perforated stainless steel with large free filter area for receiving filter bags with plastic collar
- Bag filter housing available for different filter bag sizes
- Erection with height-adjustable foot stand
- High flow rates by the use of housing combinations

### OPTIONAL

Fittings for ventilation, displacer, flange connection, nominal size acc. to specification, double filter with switch etc.



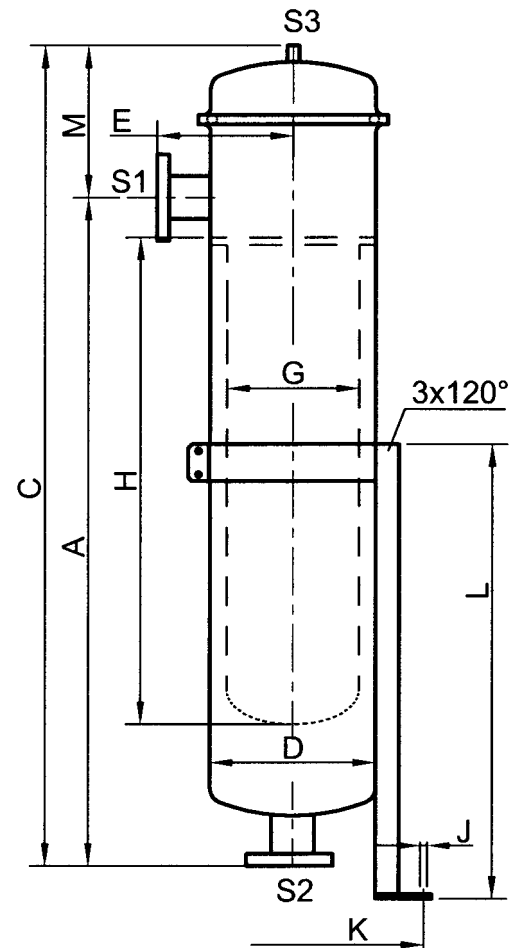
DELTA-BFS7, size 1 and 2

## PRODUCT DESCRIPTION

Two-part filter housing with domed cover. The cover plate is closed with a quick release clamp. The housing seal is an O-ring. The filter housing is delivered with a height-adjustable base by default. No pressing device for the filter bag or support basket is necessary. Therefore, the mounting and dismounting is very easy. A time-consuming cleaning of the single parts is not applicable.

## TECHNICAL DATA

Material housing:	AISI 304 <sup>1</sup>
Material support basket:	AISI 304 <sup>1</sup>
Max. allowable pressure:	7 bar
Max. allowable temperature:	75°C
Housing seal:	O-Ring EPDM <sup>2</sup>
Design and calculation:	PED 2014/68/EU
Classification:	Article 4 paragraph 3 (good engineering practice)



<sup>1</sup> Optional material AISI 316 or AISI 316L

<sup>2</sup> Optional FEP/FPM or FPM O-Ring

	DELTA-BFS7-1-1-2	DELTA-BFS7-1-2-2	DELTA-BFS7-1-3-1	DELTA-BFS7-1-4-1
In-/Outlet S1/S2	Socket 2" BSP (inner thread), opt. with flange DN50, PN16		Socket 1" BSP (inner thread), opt. with flange DN25, PN16	
Ventilation S3	1/4" BSP (inner thread)			
Cover closure	Quick release clamp			
Filter area in m <sup>2</sup>	0.25	0.5	0.10	0.15
Erection	Height-adjustable foot stand			
Dimension A in mm	550	1005	360	495
Dimension C in mm	740	1195	538	673
Dimension D in mm	Ø232		Ø180	
Dimension E in mm	176		150	
Dimension G in mm	Ø172		Ø98	
Dimension H in mm	350	730	200	310
Dimension J in mm	Ø10			
Dimension K in mm	Ø323		Ø252	
Dimension L in mm	520		350	
Dimension M in mm	190		178	
Volume in L	27	46	11	14
Weight in kg (empty)	21	26	14	15

Illustration, weights and measures are only indices.

If desired we will prepare a detailed quotation for you.

21st March 2024 - Technical changes reserved



Certified acc. to  
**ISO 9001:2015**

**Phone** +49 / 62 32 / 31 51 31  
**Fax** +49 / 62 32 / 31 51 35

**Email** info@deltafilter.com  
**Web** www.deltafilter.com