

Bag Filter DELTA-BFS10G

for hydrous, viscous and super-viscous media

The bag filter from DELTAFILTER is a logic, cost-efficient and environmental-protecting way of filtration.

- Robust and user-friendly filter housing of stainless steel, surface pickled, passivated and polished
- Designed for the filtration of fluids
- Cover plate lock with eye bolts
- Housing sealed with O-ring
- Quick and simple fitting and removal of filter bags and high-quality support basket
- The support basket in combination with the filter bag is self-adjusting, an additional O-ring or a pressing device are not necessary
- Support basket of perforated stainless steel with large free filter area for receiving filter bags with plastic collar
- Bag filter housing available for different filter bag sizes
- Erection with height-adjustable foot stand
- High flow rates by the use of housing combinations

OPTIONAL

Fittings for ventilation, displacer, flange connection, nominal size acc. to specification, double filter with switch etc.



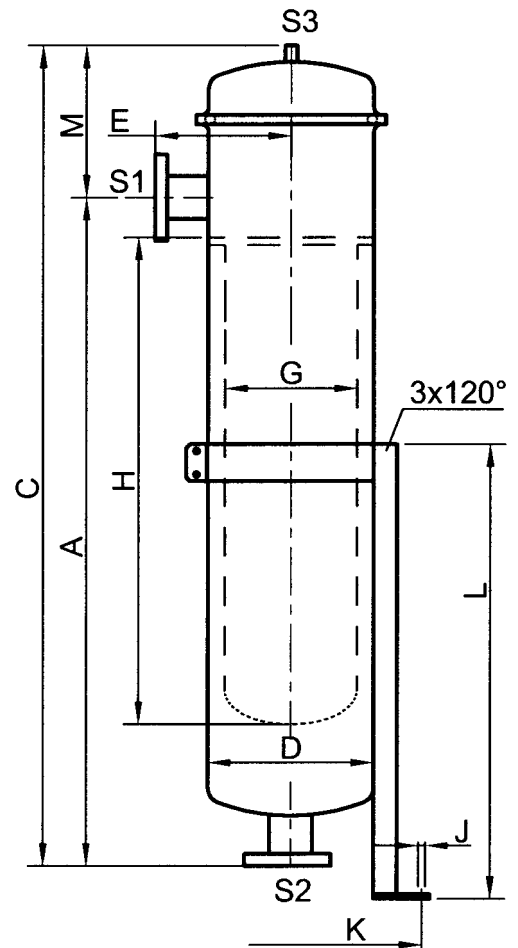
DELTA-BFS10G, size 2 and 4

PRODUCT DESCRIPTION

Two part filter housing with domed cover. The cover plate is closed with eye bolts and lifting eye nuts. The housing seal is an O-ring. The filter housing is delivered with a height-adjustable base by default. No pressing device for the filter bag or support basket is necessary. Therefore the mounting and dismounting is very easy. A time-consuming cleaning of the single parts is not applicable.

TECHNICAL DATA

Material housing:	AISI 304 ¹
Material support basket:	AISI 304 ¹
Max. allowable pressure:	10 bar
Max. allowable temperature:	75°C
Housing seal:	O-Ring EPDM ²
Design and calculation:	PED 2014/68/EU
Classification:	Article 4 paragraph 3 (good engineering practice)



¹ Optional material AISI 316 or AISI 316L

² Optional FEP/FPM or FPM O-Ring

	BFS10G-1-1-2	BFS10G-1-2-2	BFS10G-1-3-1	BFS10G-1-4-1
In-/Outlet S1/S2	Socket 2" BSP (inner thread), opt. with flange DN50, PN16		Socket 1"BSP (inner thread), opt. with flange DN25, PN16	
Ventilation S3	1/4" BSP (inner thread)			
Cover closure	Eye bolts and lifting eye nuts			
Filter area in m ²	0.25	0.5	0.10	0.15
Erection	Height-adjustable foot stand			
Dimension A in mm	550	930	350	450
Dimension C in mm	740	1120	495	595
Dimension D in mm	Ø216		Ø140	
Dimension E in mm	168		135	
Dimension G in mm	Ø172		Ø98	
Dimension H in mm	350	730	200	310
Dimension J in mm	Ø10			
Dimension K in mm	Ø332		Ø211	
Dimension L in mm	504	704	350	
Dimension M in mm	65		40	
Volume in L	23	37	6.3	7.8
Weight in kg (empty)	34	43	10	11

Illustration, weights and measures are only indices.

If desired we will prepare a detailed quotation for you.

21st March 2024 - Technical changes reserved



Certified acc. to
ISO 9001:2015

Phone +49 / 62 32 / 31 51 31
Fax +49 / 62 32 / 31 51 35

Email info@deltafilter.com
Web www.deltafilter.com