

Multi-Bag Filter DELTA-BFS10

for hydrous, viscous and super-viscous media

The bag filter from DELTAFILTER is a logic, cost-efficient and environmental-protecting way of filtration.

- Robust and user-friendly filter housing of stainless steel, surface pickled and passivated
- Pressure rating PN10 for the housing
- INLINE-design: in- and outlet at the same height
- Designed for filtration of fluid group 2 (not dangerous)
- Cover plate lock with eye bolts and lifting eye nuts of stainless steel
- Housing sealed with O-ring
- Quick and simple fitting and removal of filter bags and high-quality support baskets
- The support baskets in combination with the filter bags are self-adjusting and self-sealing
- Support basket of perforated stainless steel with large free filter area for receiving filter bags with plastic collar
- Large filter area through several filter bags
- Erection by welded profile feet
- High flow rates and long service life
- Davit for a better handling of the cover

OPTIONAL

Nominal size acc. to specification, fittings for ventilation, displacer, drain valve etc.



Mounting plate with 14 support baskets for filter bags



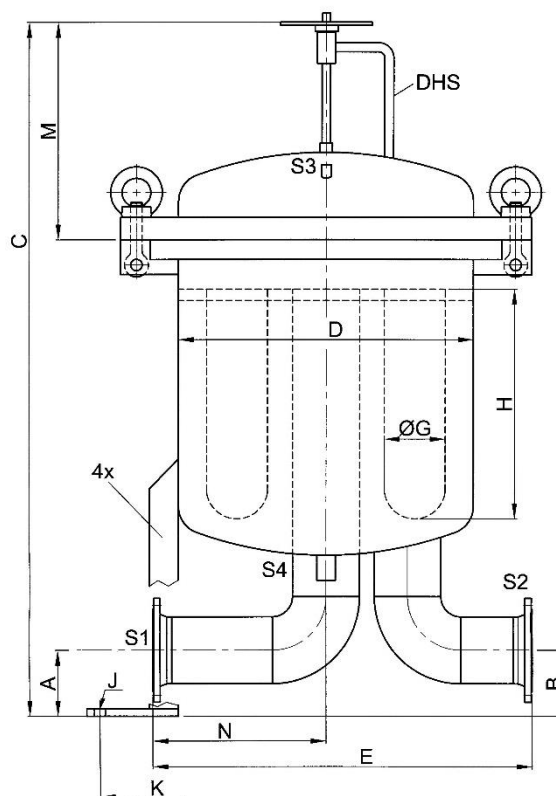
DELTA-BFS10-6-2-4-304-F

PRODUCT DESCRIPTION

Two-part filter housing with domed cover. The cover plate is closed with eye bolts and lifting eye nuts. The housing is sealed with an O-ring. This filter system is very robust and designed for extreme operating conditions. The filter housing is delivered with a welded-on base and a davit (DHS) by default. The support baskets and filter bags are self-adjusting and self-sealing. Therefore, the mounting and dismounting is very easy. A time-consuming cleaning of the single parts is not applicable.

TECHNICAL DATA

Material housing:	AISI 304 (1.4301) ¹
Material support basket:	AISI 304 (1.4301) ¹
Max. allowable pressure:	10 bar
Max. allowable temperature:	75°C
Housing seal:	O-Ring EPDM ²
Design and calculation:	PED 2014/68/EU
Classification:	Article 4 paragraph 3 (good engineering practice)
Number/type of filter bags:	4 – 14 pieces / size 2



¹ Optional material AISI 316 or AISI 316L

² Optional FEP/FPM or FPM O-Ring

	BFS10-4-2-4	BFS10-6-2-4	BFS10-8-2-6	BFS10-10-2-8	BFS12-8-2-8	BFS10-14-2-10
In-/Outlet S1/S2	flange DN100, PN16		flange DN150, PN16	flange DN200, PN16		flange DN250, PN16
Ventilation S3	1/2" BSP (inner thread)					
Drain S4	2" BSP (inner thread)					
Cover closure	Eye bolts and eye nuts					
Filter area in m ²	2.0	3.0	4.0	5.0	6.0	7.0
Filter bags	4	6	8	10	12	14
Dimension A/B in mm	127		152	184		216
Dimension C in mm	1552	1562	1842	2113	2158	2267
Dimension D in mm	Ø560	Ø600	Ø762	Ø864	Ø965	
Dimension E in mm	737	763	991	1067	1130	1219
Dimension G in mm	Ø172					
Dimension H in mm	730					
Dimension J in mm	Ø14					
Dimension K in mm	Ø704	Ø744	Ø962	Ø1064	Ø1215	
Dimension M in mm	410	415	545	685	710	
Dimension N in mm	407		559	584	597	686
Volume in L	245	278	491	664	852	942
Weight in kg (empty)	169	202	450	600	725	810

Illustration, weights and measures are only indices.

If desired we will prepare a detailed quotation for you.

21st March 2024 - Technical changes reserved



Certified acc. to
ISO 9001:2015

Phone +49 / 62 32 / 31 51 31
Fax +49 / 62 32 / 31 51 35

Email info@deltafilter.com
Web www.deltafilter.com