

Bag Filter DELTA-BF

for hydrous, viscous and super-viscous media

The bag filter from DELTAFILTER is a logic, cost-efficient and environmental-protecting way of filtration.

- Robust and user-friendly filter housing
- Quick and simple fitting and removal of filter bags and high-quality support basket
- Fixing of filter bag by removable pressing device which can be cleaned easily
- Robust support basket with large free surface for receiving all filter bag types
- Bag sizes with various filter surfaces are applicable
- High flow rates by the use of housing combinations or housings with many filter bags
- Location with height-adjustable base or optional with clamp for wall fastening
- Production acc. to PED 2014/68/EU, AD2000

OPTIONAL

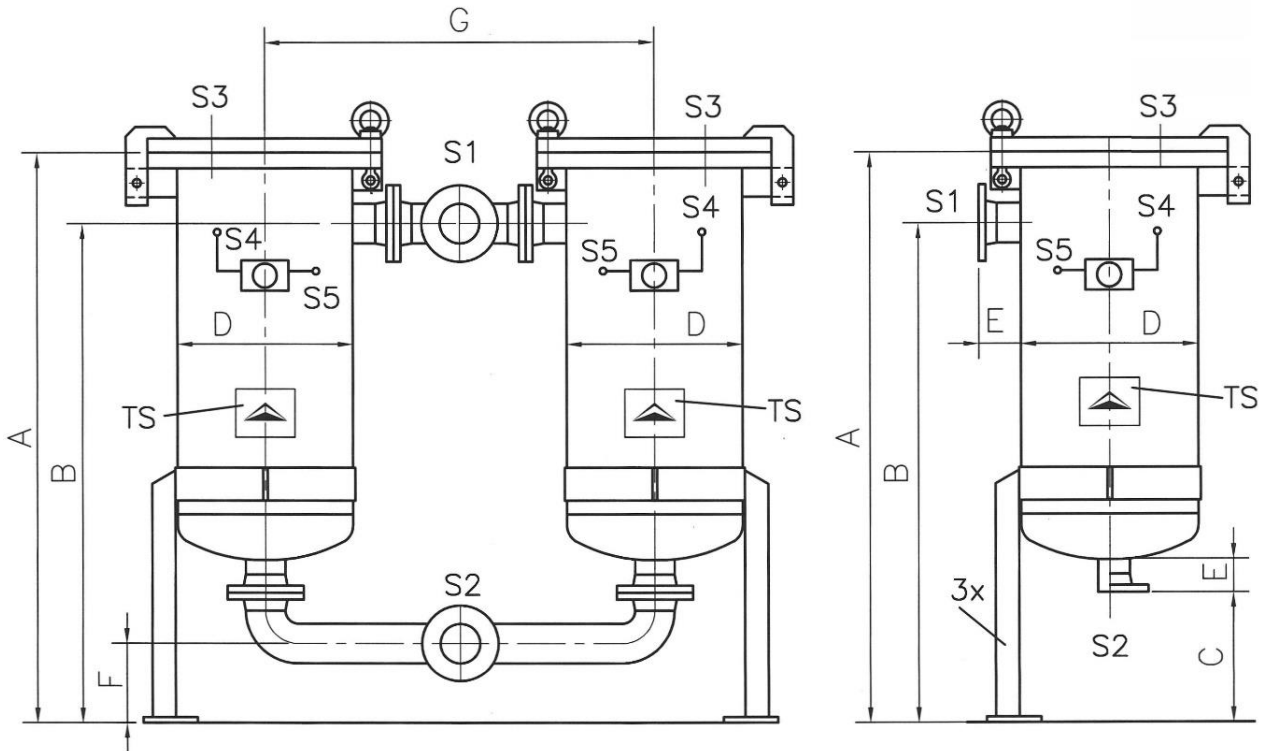
Differential pressure indicator with or without electrical contact to transmit the signal, magnetic columns, fittings for ventilation, inspection by German TÜV, heating jacket, double filter with switch, quick-acting closure, internal coatings, displacer etc.



DELTA-BF-K-1-2-2

TECHNICAL DATA

Design and calculation:	PED 2014/68/EU, AD2000 ¹
Material filter housing:	1.4571 ^{1,2}
Material basket:	1.4401 ^{1,2}
Cover-closure:	Folding hinge with eye bolts and eye nuts of galvanized steel ¹
Max. allowable pressure:	10 bar ¹
Max. allowable temperature:	80°C ¹
Gaskets:	O-Ringe FPM ¹



	BF-K-1-1-2	BF-K-1-2-2	BF-K-1-2-3	BF-K-1-2-2-D	BF-K-1-2-2-D
S1, S2 In- and outlet ¹	Socket 2" BSP (inner thread), opt. with flange DN50, PN16		Flange DN80, PN16	Flange DN50, PN16	Flange DN80, PN16
S3 ventilation ¹	3/8" BSP (inner thread), optional with ball valve				
S4, S5 differential pressure ¹	1/4" BSP (inner thread)				
Filter area in m ²	0,25	0,5		1	
Dimension A in mm	920	1240			1540
Dimension B in mm	835	1155			1305
Dimension C in mm	Socket: 330 Flange: 300		300	-	-
Dimension D in mm	Ø 219,1				
Dimension E in mm	Socket: 50 Flange: 80		80	-	-
Dimension F in mm	-	-	-	177	131
Dimension G in mm	-	-	-	601	655
Weight in kg (empty)	35	41	46	88	95

Illustration, weights and measures are only indices.

If desired we will prepare a detailed quotation for you.

21st March 2024 - Technical changes reserved

¹ Optional other materials, designs, pressures, temperatures, connections etc.

² Surface pickled and passivated



Certified acc. to
ISO 9001:2015

Phone +49 / 62 32 / 31 51 31
Fax +49 / 62 32 / 31 51 35

Email info@deltafilter.com
Web www.deltafilter.com